



2734 High Desert Drive suite 105 po box 648 Prineville, OR 97754
Orders toll-free 1-888-257-3006 Fax 541-447-7818
sales@williamsfirearms.com

AR-15 Lower Receiver Order Form

Name _____

Shipping
Address

_____ city state zip

Billing
Address

_____ city state zip

Qty	Serial Number (15 digits including spaces) (Add \$10.00 per receiver)	Base Price \$105.00	Total
-----	--	------------------------	-------

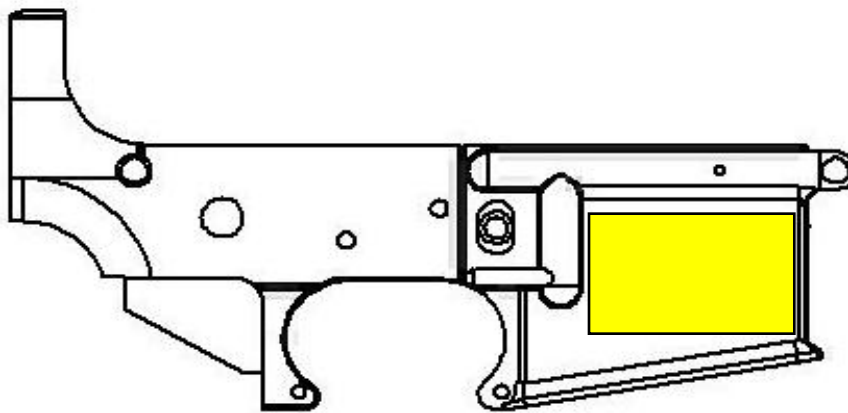
Special Requests

2734 High Desert Drive suite 105 po box 648 Prineville, OR 97754
Orders toll-free 1-888-257-3006 Fax 541-447-7818
sales@williamsfirearms.com

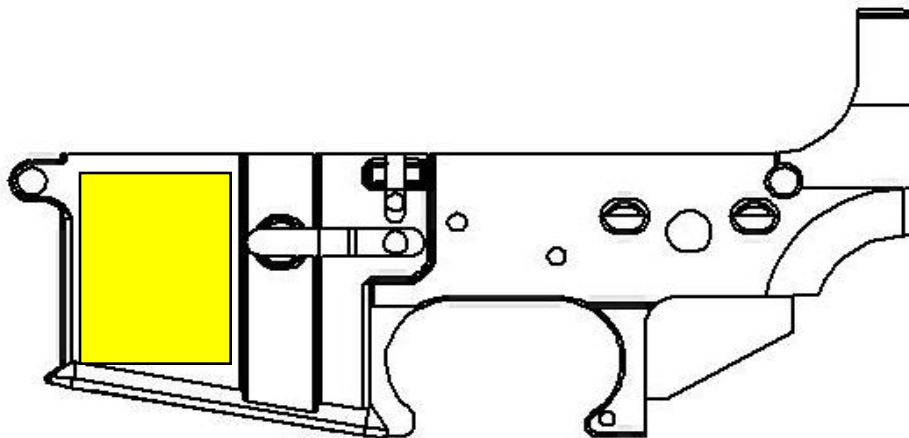
AR-15 Lower Receiver Order Form

For special engraving, please indicate which sides on the diagrams below you want it to appear on. Please circle the area and briefly describe the logo or provide the artwork in jpeg or tiff format. Keep in mind that certain serial numbers and identifying marks must be made on all receivers, which may effect your artwork. Before we engrave your receiver, we will confirm with you the price and exactly what it will look like prior to machining.

SIDE ONE



SIDE TWO



Additional Comments